

V pol Omnidirectional Colinear Antenna

161 ... 162 MHz / 169 - 170 MHz

The Schomandl 736931 VHF antenna is intended for digital POCSAG paging networks for public safety applications

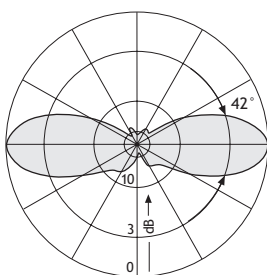
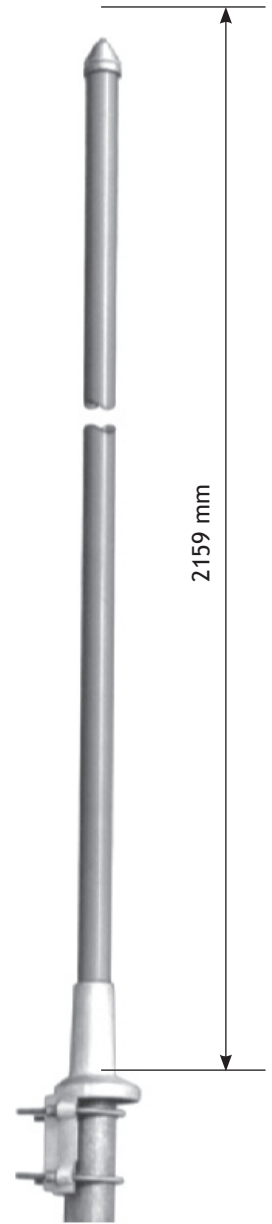
- Colinear Antennas with stacked design for flat vertical pattern
- Rugged grey fiberglass radome for enduring performance
- Optimized for POCSAG paging frequencies

Type No.	736 931
Input	7 - 16 female
Frequency range	161 - 162 MHz / 169 - 170 MHz
VSWR	< 1.5
Gain (ref. $\lambda/2$ dipole)	1.5 dB
Impedance	50 Ω
Polarization	Vertical
Max. power	600 W (at 25 °C ambient temperature) 500 W (at 50 °C ambient temperature)
Weight	6 kg
Wind load	170 N (at 150 km/h)
Max. wind velocity	200 km/h
Packing size	2340 x 183 x 137 mm
Antenna height	2159 mm
Diameter	51 mm
Order no.	80000860

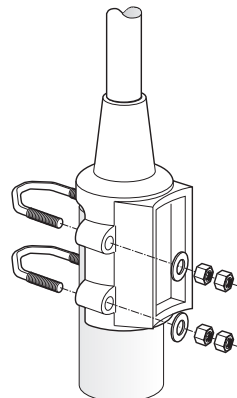
Material: Radiator: Copper and brass.
Radome: Fiberglass, colour: Grey.
Base: Aluminum.
Mounting U-bolt and all screws and nuts: Stainless steel.

Mounting: The antenna can be attached in two ways with the supplied mounting kit:
1. On the tip of a tubular mast of 65 - 105 mm diameter (connecting cable runs inside the mast).
2. Laterally at the tip of a tubular mast of 30 - 90 mm diameter (connecting cable runs outside the mast).

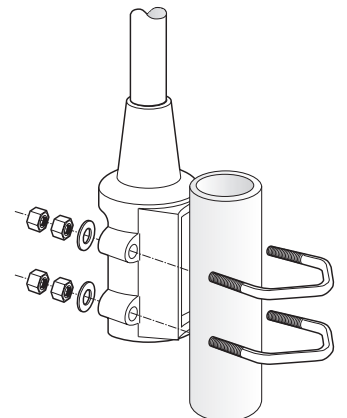
Grounding: All metal parts of the antenna including the mounting kit are DC grounded.
Grounding cross-section: 28 mm² copper.



Vertical Pattern
169 - 170 MHz



On the tip of a tubular mast



Laterally at the tip of a tubular mast