

V pol Groundplane Antenna 27 ... 61 MHz

Vertical Polarization

The Schomandl K512472 is a tunable Groundplane antenna for a wide frequency range.

- Entire antenna at DC ground potential to prevent electrostatic noise and to improve lightning protection
- Wide frequency range achievable by cutting radials to desired length
- Variable mounting configurations allow feeder cable to be run inside or outside the support pipe.
- Stainless steel ground radials, hardware, and fastenings.

Type No.	Antenna	K 51 24 72
	Spare radials	K5124701
Frequency range		27 ... 61 MHz
Polarization		Vertical
Gain (ref. 1/2 dipole)		0 dB
Impedance		50 Ω
Max. power per input		500 W (at 50 °C ambient temperature)
Order No.		8000008

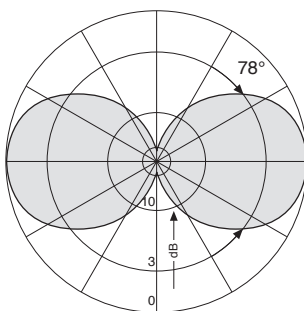
Material: Radiator and radials: Fiberglass with imbedded stranded copper wire.
Base: Aluminum.
Mounting U-bolt, all screws and nuts: Stainless steel.

Mounting: The antenna can be attached in two ways with the supplied mounting kit:
1. On the tip of a tubular mast of 40-54 mm [1.6-2.1 inches] diameter (connecting cable runs inside the mast).
2. Laterally at the tip of a tubular mast of 20-54 mm [0.8-2.1 inches] diameter (connecting cable runs outside the mast).

Radials: Tightening torque 25 Nm

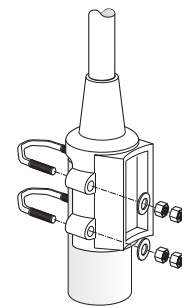
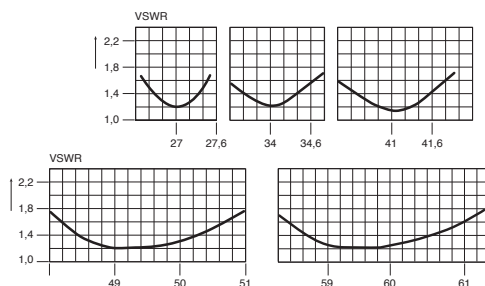
Tuning: By cutting radiator and radials to length in accordance to the mounting instructions.

Grounding: All metal parts of the antenna including the mounting kit are DC grounded.

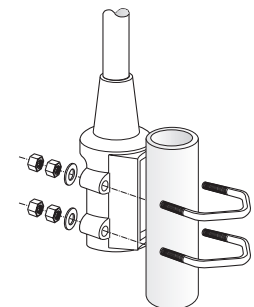


Vertical Pattern

Standing Wave Ratio (VSWR)
Examples of matching at various frequencies



On the tip of a tubular mast

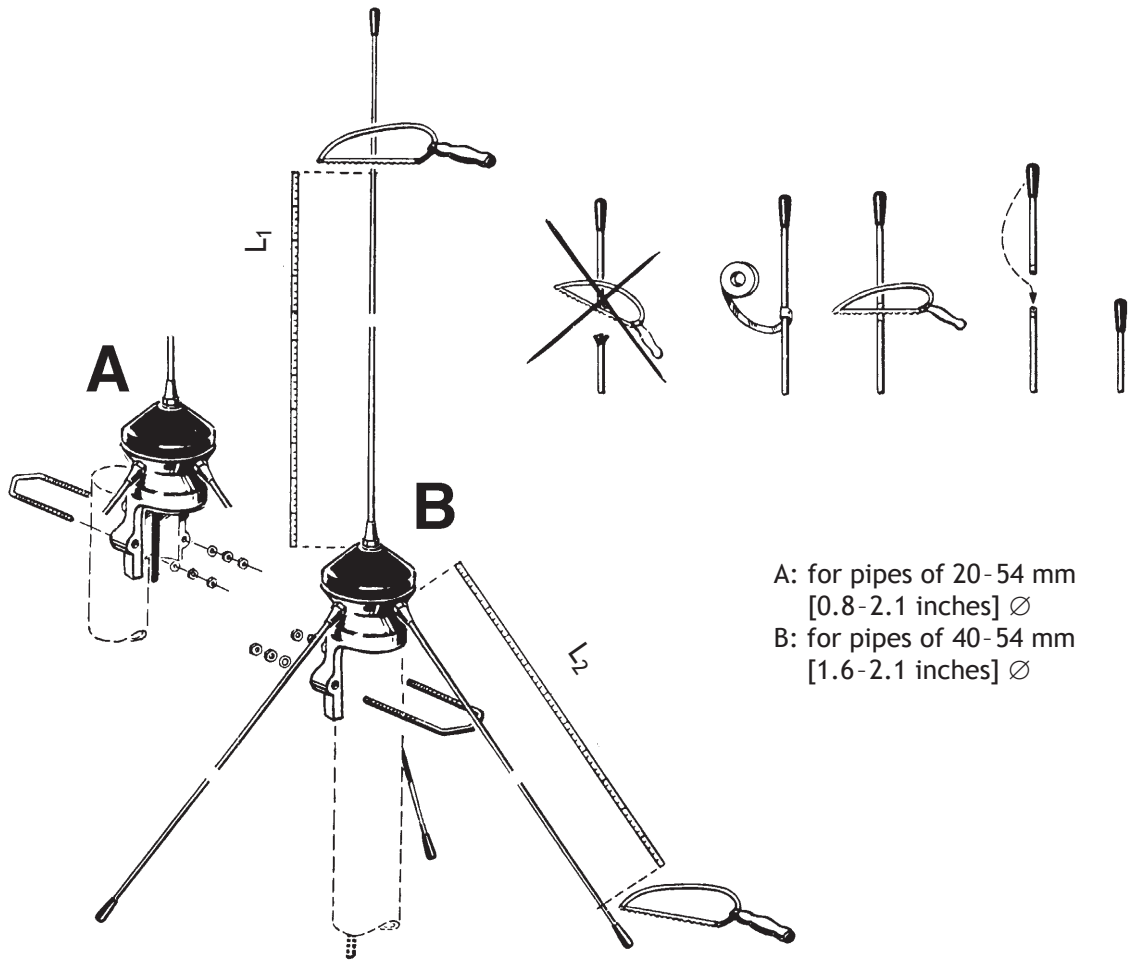


Laterally at the tip of a tubular mast

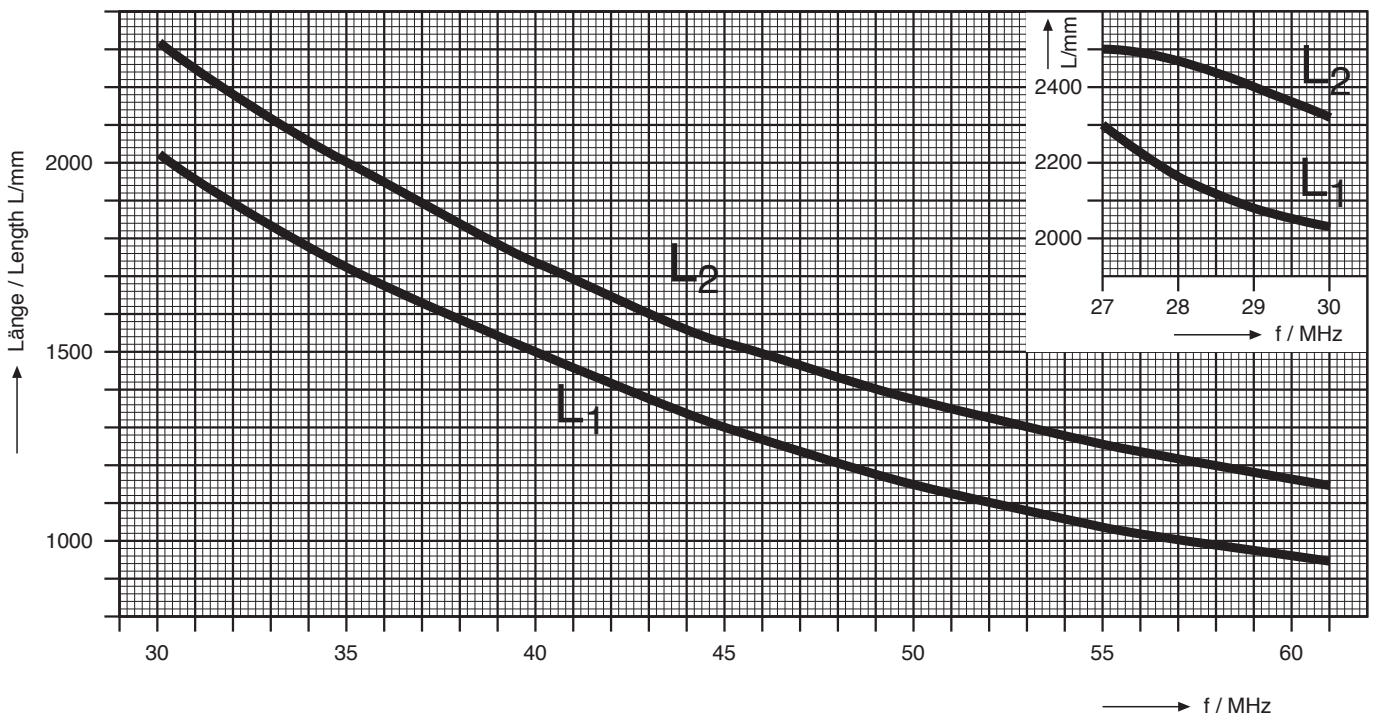
Mechanical specifications		UHF female
Input		UHF female
Wind load (N) (at 150 km/h) [lbf]		100 [25]
Max. wind velocity (km/h) [mph]		135 [84]
Radiator length [mm] [inches]		max. 2510 [98.8]
Length of radials [mm] [inches]		max. 2510 [98.8]
Weight * (kg) [lb]		1.6 [3.5]
Packing size (mm) [inches]		2704 x 136 x 100 [106.5 x 5.4 x 3.9]

* for max. antenna length

V pol Groundplane Antenna 27 ... 61 MHz Vertical Polarization



A: for pipes of 20-54 mm
[0.8-2.1 inches] \varnothing
B: for pipes of 40-54 mm
[1.6-2.1 inches] \varnothing



© Schomandl GmbH & Co. KG - Subject to modifications / Issue 10/2015