

V pol Dipole Antenna 146 ... 174 MHz Vertical Polarization

The Schomandl K552921 is a robust dipole antenna intended for use in professional fixed-station applications in the 146-174 MHz band with highest performance and stability requirements.

- Hot-dip galvanized steel construction
- Entire antenna at DC ground potential
- Mounting position determines preferred direction

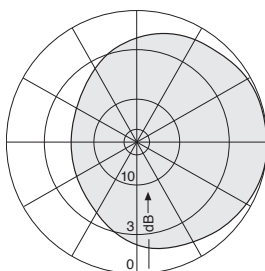
Type No.	K 55 29 21
Input	N female
Frequency range	146 - 174 MHz
VSWR	< 1.4
Gain (ref. $\lambda/2$ dipole)	2 dB
Impedance	50 Ω
Polarization	Vertical
Max. power	440 W (at 50 °C ambient temperature)
Radiation Pattern	Preferred direction: Mast to radiator
Weight	4.5 kg
Wind load	90 N (at 150 km/h)
Max. wind velocity	200 km/h
Mast diameter	60 - 125 mm
Packing size	864 x 598 x 87 mm
Dipole length	840 mm
Distance dipole/mast	500 mm
Order no.	80000019

Material: Hot-dip galvanized steel.
All screws and nuts: Stainless steel.

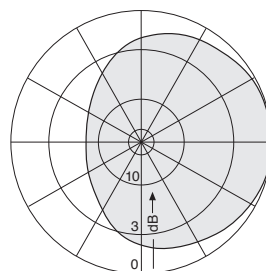
Mounting: On masts of 60 - 125 mm diameter clamp supplied.

Grounding: All metal parts of the antenna including the mounting kit are DC grounded.

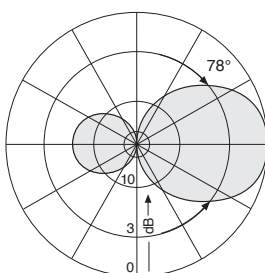
Radiation Pattern with different mast diameters:



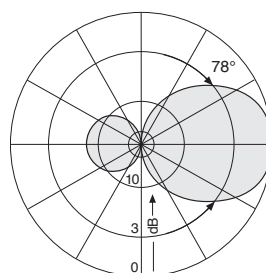
Horizontal Pattern
60 mm diameter



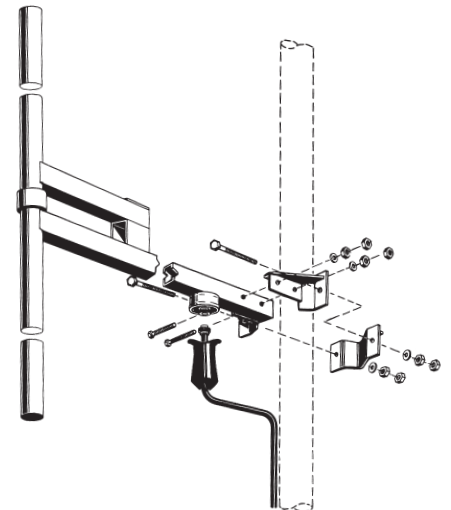
Horizontal Pattern
115 mm diameter



Vertical Pattern
60 mm diameter



Vertical Pattern
115 mm diameter



For antennas with N female connector (jack) we recommend using cable connectors (male plug) with captive inner conductor to avoid damages to the jack center conductor.