

# V pol Dipole Colinear Antenna

## 146 ... 174 MHz

Schomandl's K 55 31 21 combines two dipoles in a colinear order to an antenna with unique performance:

- Main direction determined by dipole position towards the mast
- Very flat and vertical pattern with high gain
- Hot-dip galvanized steel construction
- Entire antenna at DC ground potential

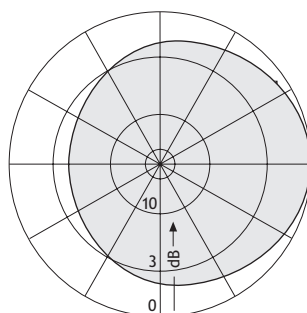
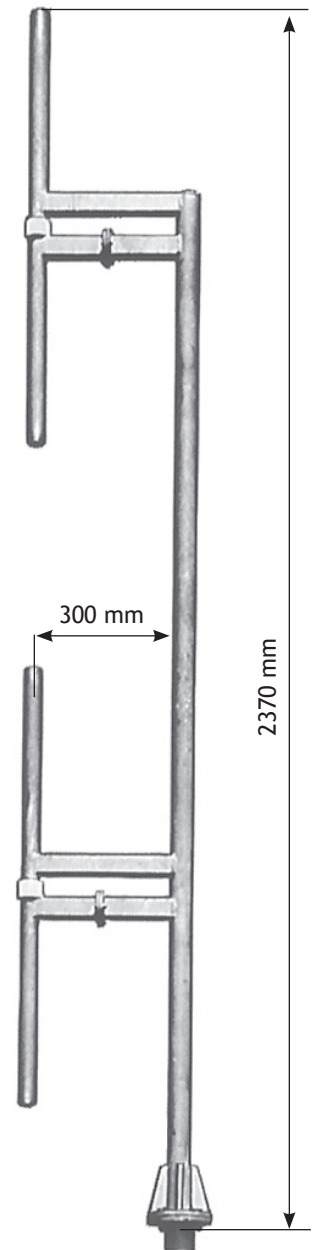
Type No.	K 55 31 21
Input	N female
Frequency range	141 - 180 MHz but preferred range 146 - 174 MHz
VSWR	< 1.3
Gain (bez. $\lambda/2$ -dipole)	5 dB
Impedance	50 $\Omega$
Polarization	Vertical
Max. power	110 W (at 50 °C ambient temperature)
Weight	13 kg
Wind load	Frontal: 200 N (at 150 km/h) Lateral: 250 N (at 150 km/h)
Max. wind velocity	200 km/h
Packing size	2400 x 420 x 150 mm
Order No.	80000861

**Material:** Hot-dip galvanized steel.  
All screws and nuts: Stainless steel.

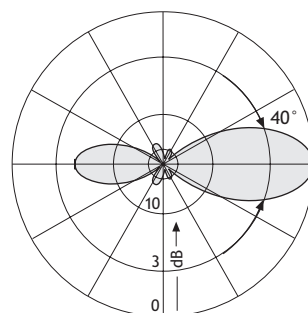
**Mounting:** Via standard flange 130 mm diameter.

**Special features:** Preferred direction: Mast to radiator (see diagram).  
Cable connection: The jack is mounted inside the mast near the flange.

**Grounding:** All metal parts of the antenna including the inner conductor and the supplied mounting hardware are DC grounded.



Horizontal



Vertical

